

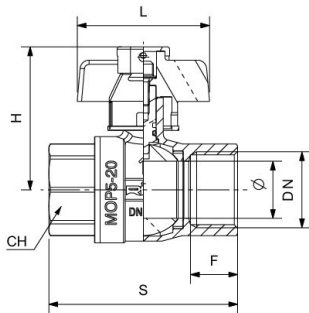


RIV 5050

Ball valve F/F (Professional series)
full bore
T-Lock brass tamperproof butterfly handle

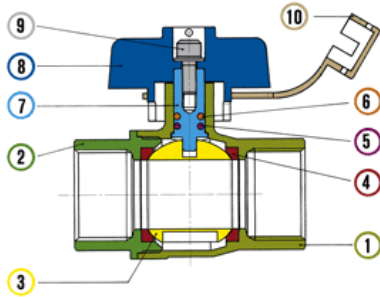
Tech drawings and tables

DN	Code	Ø	H	S	L	F	PN	KG	P/box
1/2"	025050000004	15	51	59	53	17	64	0,263	10
3/4"	025050000005	20	58	69	58	18	40	0,392	10
1"	025050000007	25	63	83	58	22	40	0,594	10



Technical data

Art. 5050



Materials

1	Body	Brass	CW617N	Nickel-plated
2	Body end	Brass	CW617N	Nickel-plated
3	Ball	Brass	CW617N	Chrome-plated
4	Seats	P.T.F.E.		
5	O-Ring	FKM		
6	O-Ring	NBR		
7	Stem	Brass	CW614N	
8	Butterfly handle	Brass		
9	Screw	Brass		
10	Cap	PVC		

Connections

Riv 5050 - 5055 - 5060 - 5065: F=ISO 7/1Rp (parallel) M=ISO 7/1R (tapered)

Limit

Riv 5050 - 5055 - 5060 - 5065: -20°C (without liquid) +150°C

Notes

The max.working pressure (PN) means at a room temperature of about 23°C.